

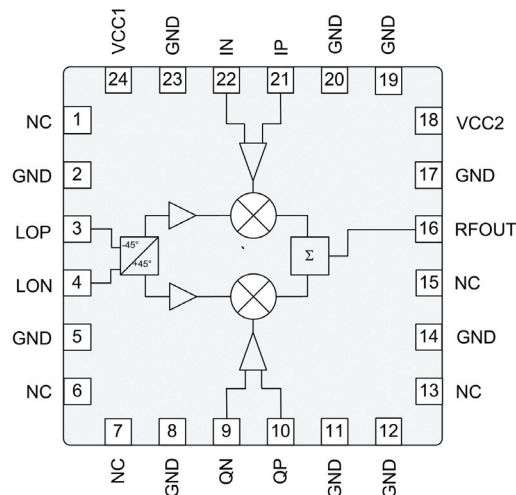
RFMD®

RFMD0014/2014 Direct Quadrature Modulators



The RFMDx014 is a high-linearity, direct quadrature modulator designed for use in cellular base stations and other communications systems. The RFMDx014 modulators support cellular, 3G, WiMAX, and LTE air interface standards. Manufactured using an advanced GaAs HBT process, these devices operate from a single 5 V supply and come packaged in a low cost 4.0 x 4.0 mm 24-pin leadless packages.

Parameter	Units	RFMD0014	RFMD2014
Supply Voltage	V	5	5
Supply Current	mA	185	210
RF Frequency Range	MHz	700 to 1000	1700 to 2700
Carrier Feedthrough	dBm	-40	-40
Sideband Suppression	dB	-40	-40
OIP3	dBm	26	26
P1dB	dBm	12	11
ACPR at -10dBm Pout	dBc	-70	-70
Broadband Noise Floor	dBm/Hz	-160	-160
LO Input Power	dBm	-3 to +3	-3 to +3
I/Q Input Freq Range	MHz	DC to 300	DC to 300



FEATURES

- High linearity
- Low noise floor
- High output power
- Single +5 V supply
- Small 24-pin, 4.0 x 4.0 mm, QFN

Order RFMD products online at www.rfmd.com/rfmdExpress.

For sales or technical support, contact your authorized local sales representative (see www.rfmd.com/globalsales).

Register to receive RFMD's latest product releases with our Email Component Alerts at www.rfmd.com/emailalert.

7628 Thorndike Rd., Greensboro, NC 27409-9421 USA • Phone 336.664.1233



These products comply with RFMD's green packaging standards.

RFMD® is a trademark of RFMD, LLC. All other trade names, trademarks and registered trademarks are the property of their respective owners. ©2010 RFMD.

SL.RFMD0014/2014.0510.200



rfmd.com