

RFMD®

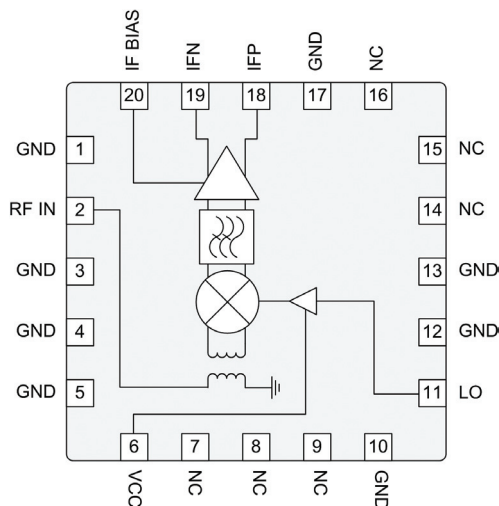
RFMX0015/RFMX1015 Differential IF Down-Converters



RFMD® offers two high linearity down-converter modules, the RFXM0015 and RFXM1015, designed for use in cellular, 3G, LTE, and other high-performance communications systems. Each down-converter contains an integrated LO buffer amplifier and a passive mixer core with an amplified differential IF output. The differential output buffers feature adjustable bias current that allows users to optimize linearity and current to meet their needs. The RFXM0015 and RFXM1015 come in a 20-pin, 5 x 5 mm multi-chip module package that is footprint compatible with QFN.

SPECIFICATIONS

RF Freq (Min) (MHz)	RF Freq (Max) (MHz)	LO Freq (Min) (MHz)	LO Freq (Max) (MHz)	IF Freq (Max) (MHz)	Mixer Conversion Gain (dB)	LO Level (dBm)	Input P1dB (dBm)	Mixer IIP3 (dBm)	V _{CC} (V)	I _{CC} (mA)	Package (mm)	Part Number
600	1050	550	1100	300	7.0	0	13.5	29.0	5.0	200	MCM 5 x 5	RFMX0015
1500	2200	1400	2400	300	7.5	0	14.0	29.0	5.0	200	MCM 5 x 5	RFMX1015



FEATURES

- High linearity
- Wide bandwidth operation that supports both high- and low-side LO
- Adjustable current and IP3 (via IFBIAS)
- Single +5 V supply
- Small package size
- Designed for 3G and 4G cellular infrastructure, point-to-point radios, and other high-performance communications systems
- Supports GMSK, QPSK, DQPSK, and QAM modulation applications

Order RFMD products online at www.rfmd.com/rfmdExpress.

For sales or technical support, contact your authorized local sales representative (see www.rfmd.com/globalsales).

Register to receive RFMD's latest product releases with our Email Component Alerts at www.rfmd.com/emailalert.

7628 Thorndike Rd., Greensboro, NC 27409-9421 USA • Phone 336.664.1233



These products comply with RFMD's green packaging standards.

RFMD® is a trademark of RFMD, LLC. All other trade names, trademarks and registered trademarks are the property of their respective owners. ©2010 RFMD.

MPG.RFMX0015/1015.0710.20



rfmd.com